



## Main Features

- 6th generation Intel® Core™ i3-6100U SoC processor
- 1 x mini DP and 1 x HDMI port, support 4K
- USB 3.0 support
- WLAN support
- M.2 slot support for Wifi and SSD
- Compact and fanless design

## Product Overview

Powered by new generation Intel® Core™ i3-6100U SoC processor, NDiS B425-SI3 digital signage player can handle very rich multimedia contents. With Intel® processor low power consumption feature, In addition, the 6th generation Intel® Core™ processors deliver significant improvements up to two and a half times the performance in graphics offering stunning visuals for compelling 4K content creation and media playback. NDiS B425-SI3 supports display output by HDMI and Mini-DP ports.

NDiS B425-SI3 is high performance player, adding integration flexibility with various peripherals such as touchscreen displays, scanners, readers, and many more. It is also ideal as a digital signage player delivering enhanced performance and new immersive experiences for advertising, hospitality and brand promotion applications.

## Specifications

### CPU Support

- Intel® Core™ i3-6100U SoC processor Dual Core 2.3GHz

### Graphics

- Intel® HD520 Graphics

### Main Memory

- 2 x 204-pin SO-DIMM sockets, Support DDR3L 1333/1600MHz non-ECC, un-buffered memory up to 16G

### I/O Interface-Front

- 1 x Power Switch with LED
- 2 x USB3.0
- 1 x Headset/Mic phone jack
- 2 x Antenna Hole

### I/O Interface-Rear

- +19V DC-in
- 1 x HDMI
- 1 x Mini-Display Port
- 1 x DB9 for RS-232
- 2 x USB3.0
- 1 x RJ45 with LED for 10/100/1000Mbps Ethernet
- 

### Storage

- 1 x 2.5" HDD/SSD

### Dimensions

- 167mm (W) x 139.6mm (D) x 55mm(H), w/o mounting bracket

### Construction

- Top cover made by aluminum for main heat exchange

### Power Supply

- 1 x External 65W AC/DC adapter
- Input: 100~240VAC
- Output: +19V

### Expansion

- 1 x NGFF (M.2) E key for optional 2230 WLAN module
- 1 x NGFF (M.2) for optional 2242 Storage module

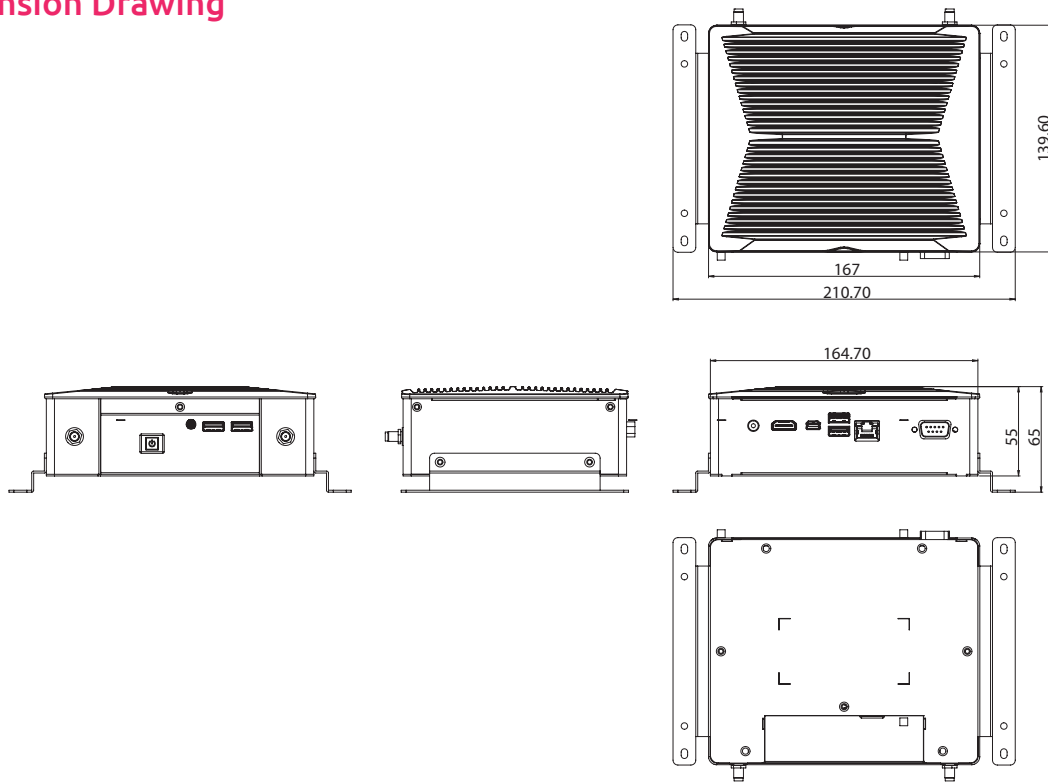
### Environment

- Operating temperature: 0°C to 40°C
- Storage temperature: -20°C to 80°C
- Humidity: 10 to 90% (non-condensing)

### Certification

- CE approval
- FCC Class A

## Dimension Drawing



## Operating System

- Win7/Win8/Win10/WES7/WES8/Linux

## Ordering Information

- ♦ **NDiS B425-S13 (P/N: 10W00B42503X0)**  
Intel® Core™ i3-6100U Dual Core fanless system