



## Main Features

- 6th generation Intel® Atom™ x7-E3950 processor
- Triple video output (HDMI/DP support 4K2K resolution)
- Compact and slim design (H: 21.5mm)
- Wide temperature support
- Supports W-Fi, GPS, and 3G module
- Fanless design

## Product Overview

Powered by new generation Intel® Atom™ x7-E3950 processor, NDiS B336R series digital signage player can handle very rich multimedia contents. With Intel® processor low power consumption feature, In addition, the 6th generation Intel® Core™ processors deliver significant improvements up to two and a half times the performance in graphics offering stunning visuals for compelling 4K content creation and media playback. NDiS B336R series supports display output by HDMI and DP ports is ideal as entry level digital signage player, NDiS B336R series The slim/fanless design with wide temperature durability further extends to semi-outdoor usage like QSR drive through kiosks, box office displays, information stands, bus stops, or digital transit information signs. It is also ideal as a digital signage player delivering enhanced performance and new immersive experiences for advertising, hospitality and brand promotion applications.

## Specifications

### CPU Support

- Quad core Intel® Atom™ x7-E3950 processor, 2.0GHz

### Chipset

- SoC (codenamed Apollo Lake-I)

### Graphics

- Intel® HD Graphics 500 series

### Main Memory

- 2 x 204-pin SO-DIMM socket, supports DDR3L 1600MHz non-ECC, Un-buffered memory up to 16GB

### I/O Interface-Front

- 1 x 19V DC in
- 1 x DB9 for RS-232
- 1 x RJ45 with LEDs 10/100/1000Mbps Ethernet
- 2 x USB3.0
- 1 x Display Port
- 2 x HDMI Port
- 1 x HDD LED
- 1 x Power Switch
- 1 x Audio-out
- 1 x MIC-in

### I/O Interface-Rear

- 2 x Antenna Hole for Wi-Fi or TV Tuner
- 3 x USB3.0

### Storage

- 1 x SATA 2.5"

### Expansion

- 1 x mini-PCIe slot (full size)
- 1 x NGFF (M.2) 2230 for optional WLAN
- 1 x SIM Slot

### Power Supply

- 1 x external 65W AC/DC power adapter
- Input: 100VAC to 240VAC
- Output: DC+19VDC

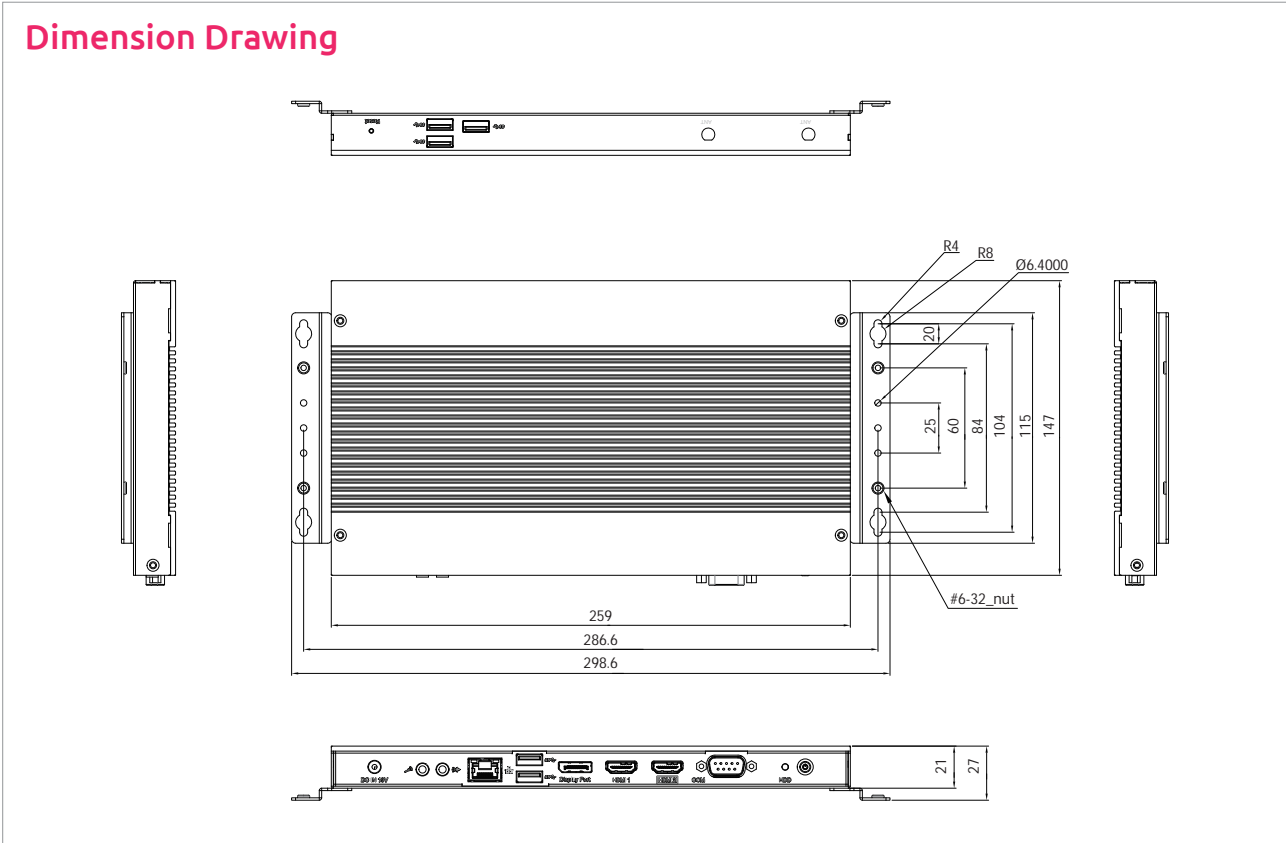
### Environment

- Operating temperature: -10°C to 60°C (SSD) ; 0°C to 40°C (HDD)
- Storage temperature: -25°C to 80°C
- Humidity: 10 to 90% (non-condensing)

### Certification

- CE approval
- FCC Class A

## Dimension Drawing



### Dimensions

- 259mm (W) x 147mm (D) x 21mm (H)

### Operating System

- Win10/Linux

## Ordering Information

- **NDIS B336R (P/N: 10W00B33600X0)**  
Quad core Intel® Atom™ x7-E3950 slim and fanless system