

Main Features

- 11th Gen Intel® Core i3 Processor with Intel® SoC
- Onboard LPDDR4 memory, 32 GB
- 1 x 2.5GbE Intel i225 + 1 x GbE Intel i219
- 1 x HDMI 2.0, 4K x 2K + eDP, up to HBR3 8K
- 1 x M.2 Key M 2280 slot
- 1 x Full size mPCIe/mSATA
- 2 x USB 3.2 Gen 2, 2 x USB 3.2 Gen1, 4 x USB 2.0
- 1 x SATA 3.0 (6 Gb/s)
- 2 x COM (RS232/422/485)
- PICO-ITX form factor (100mm x 72mm)
- Support 12V

Product Overview

The EBC260 is a PICO-ITX board powered by 11th Generation Intel® Core™ processors, capable of handling a TDP up to 15W. Integrated with an Intel® SoC chipset, it features LPDDR4x onboard memory (up to 32 GB) and an integrated Intel® UHD Graphics controller.

For connectivity, the EBC260 offers 1 x SATAIII 6Gb/s, 1 x M.2 Key M, 2 x USB 3.2 Gen2, 2 x USB 3.2 Gen1, 4 x USB 2.0, 1 x Intel 2.5GbE LAN, 1 x GbE LAN, 1 x HDMI, and 1 x eDP. Its versatile display capabilities make it suitable for a wide range of industrial embedded applications, including kiosks, digital signage, gaming, and automation.

Specifications

CPU Support

- 11th Generation Intel® Core™ i3 Processor 15W TDPs with Intel® SoC

Main Memory

- Onboard LPDDR4 3200, 32GB, Dual Channel

BIOS

- UEFI BIOS

Display

- 1 x HDMI 2.0b, up to 3840 x 2160@60Hz
- 1 x eDP 1.3, up to 3840 x 2160@60Hz

Ethernet

- 1 x 2.5GbE Intel i225/226
- 1 x 1GbE Intel i219

Storage

- 2 x SATA 3.0 (6 Gb/s)
- 1 x M.2 Key B 2242 (SATA)

Expansion Slot

- 1 x M.2 Key M 2280, PCIe 4.0 x4
- 1 x Full-size mSATA/mPCIe
(Default: mPCIe, selected by BIOS)

Serial Port

- 2 x RS232/422/485

Internal I/O

- 1 x eDP 1.3
- 2 x USB 3.2 Gen1
- 4 x USB 2.0
- 1 x 12V DC, Terminal block
- 1 x 8bit GPIO
- 1 x 4-pin Smart Fan

Dimensions

- PICO-ITX Form Factor, 3.94" x 2.84" (100mm x 72mm)

Power Requirements

- 12V DC in
- Power supply type: AT / ATX
- Phoenix 2-pin Connector
- Lockable DC Jack Connector (colay)

Environment

- Board level operation temperature : 0°C to 60°C
- Storage temperature : -20°C to 85°C
- Relative humidity: 0~ 90% relative humidity, non-condensing

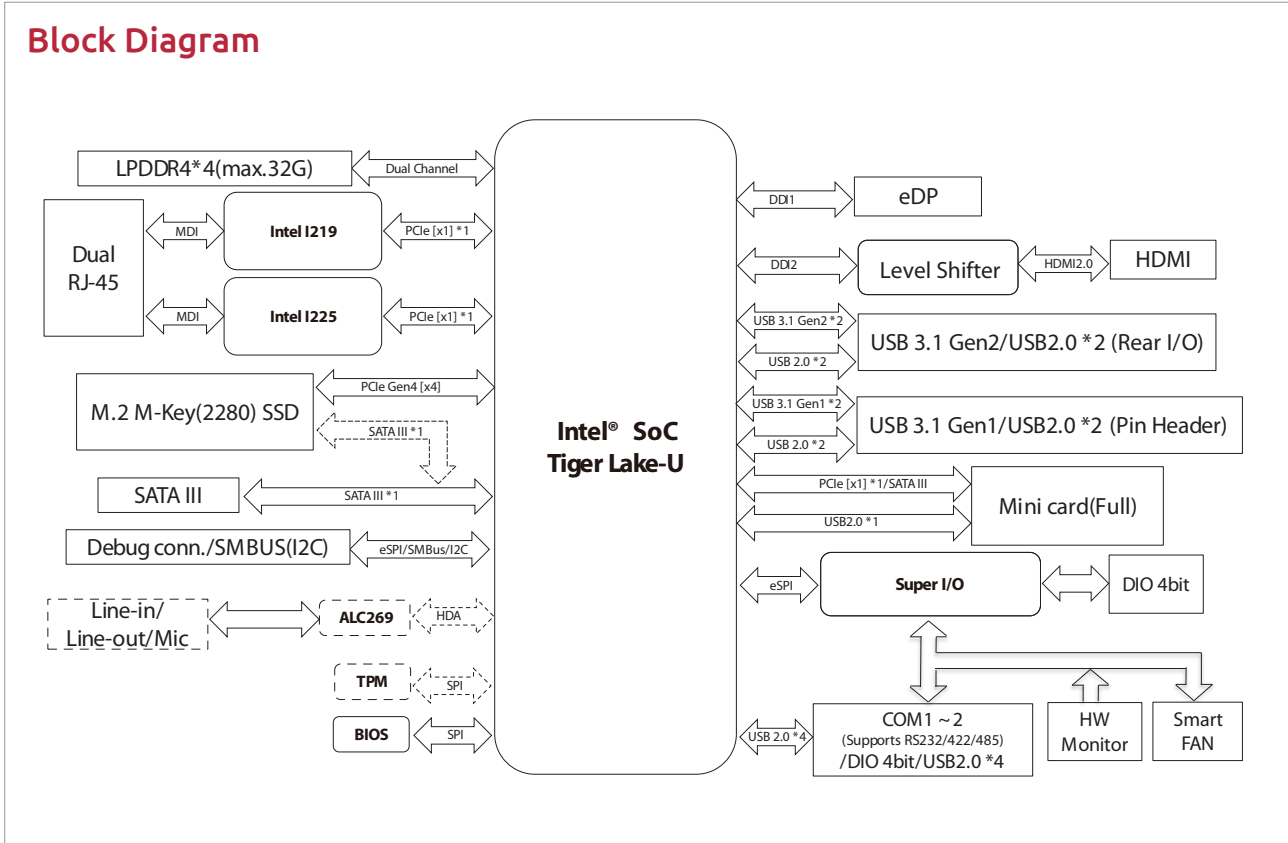
Certifications

- Meet CE / FCC Class A

OS Support

- Windows 10, 64bit

Block Diagram



Ordering Information

- **Barebone**

- **EBC260 (P/N: 6879G0002600F)**

- PICO-ITX, 11th Gen Intel® Core™ i3 Processor SoC TDP15W, onboard LPDDR4x 3200, 1 x HDMI, 1 x eDP, 2 x USB 3.2 Gen2, 2 x USB 3.2 Gen1, 4 x USB 2.0, 1 x 2.5GbE, 1 x GbE, 1 x SATA 3.0, 2 x RS232/422/485, 1 x M.2, 1 x mSATA

- **Packing List**

- EBC260 mainboard