



NEIO-B1811



NEIO-B1812

Main Features

- ◆ Finger-safe wiring cover
- ◆ Detachable screw terminals
- ◆ Rotational pin-assignment marks
- ◆ On-module LED indicators
- ◆ User-friendly wiring label
- ◆ Multiple mounting methods
- ◆ 16-CH digital input
- ◆ 16-CH digital output

Product Overview

NEIO-B1811 is a 16-CH digital input/16-CH digital output EtherCAT slave module. The voltage input of NEIO-B1811 is 24 V_{DC} which complies with IEC-61131-2 standard. Its normal output voltage is 24 V_{DC}, and it supports resistive, inductive types of loads.

NEIO-B1812 is a 16-CH digital input/16-CH digital output EtherCAT slave module. The input filter of NEIO-B1812 is 1ms, and its normal input voltage is 24 V_{DC}. Its normal output voltage is 24 V_{DC}, and it supports three types of loads-resistive, inductive and capacitive.

All of the NEIO modules are provided with high isolation protection, and verified by the EtherCAT conformance test tool. The mixed I/O module is usually used for fewer DI/O channels needed automation equipment. Mixed DI/O modules along with pure DI or DO modules provide more flexible module selection for users' applications.

Specifications

Digital Input

Model Name	NEIO-B1811	NEIO-B1812
Type	PNP	PNP/NPN
Input Voltage	24 V _{DC}	24 V _{DC}
On-State Voltage, "1"	15~30 V _{DC} (IEC 61131-2 type 1) 11~30 V _{DC} (IEC 61131-2 type 2/3)	9~24 V _{DC}
Off-State Voltage, "0"	0~5 V _{DC} (IEC 61131-2 type 1/2/3)	0~8 V _{DC}
Input Filter	3 ms	1 ms

Digital Output

Model Name	NEIO-B1811	NEIO-B1812
Type	NPN	PNP
Output Voltage	24 V _{DC}	24 V _{DC}
Load Type	Resistive, Inductive	Resistive, Inductive, Capacitive
Max. Output Current	500 mA/ch	500 mA/ch
Switching Times	Off to On: 100 μs On to Off: 150 μs	Off to On: 100 μs On to Off: 150 μs

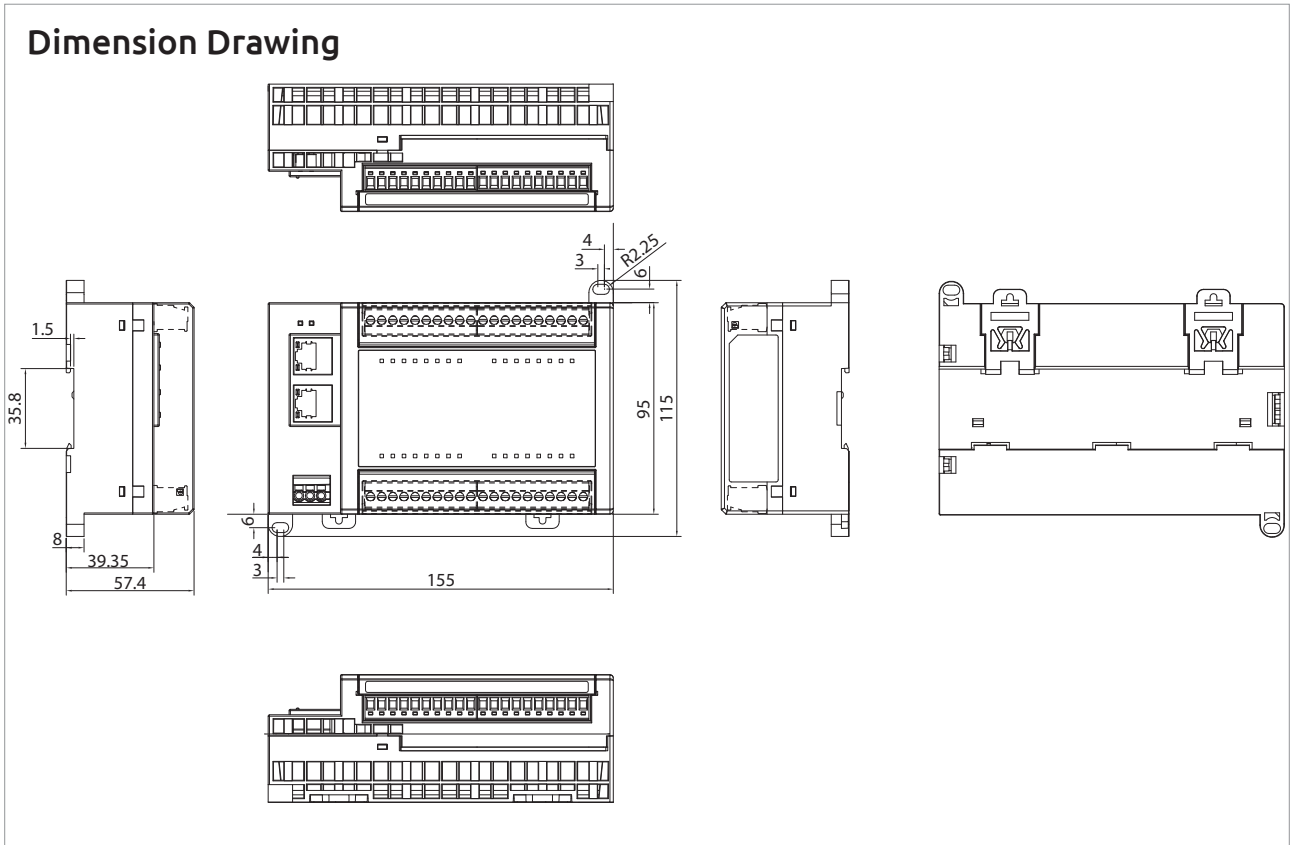
Communication

- ◆ Protocol : EtherCAT
- ◆ Bus interface: 2 x RJ-45
- ◆ Media: Ethernet cable (min. CAT5), shielded
- ◆ Distance between stations: maximum. 100m (100BASE-TX)
- ◆ Data transfer rate: 100M baud

Power Requirements

- ◆ DC input range: DC 24V ±20% with over-voltage and reversed-voltage protection

Model Name	NEIO-B1811	NEIO-B1812
Power Consumption	2.2 W	2.2 W



Common Section

- Electrical isolation: 2.5 kV (power contact)
- Operating temperature: 0°C~55°C
- Storage temperature: -40°C~85°C
- Relative humidity: 5~95%, non-condensation, non-operating
- Shock: IEC 60068-2-27
- Vibration: IEC 60068-2-6, IEC 60068-2-64
- Enclosure type rating: IP20
- Mounting type: din-rail (35mm), wall-mount
- Dimesions (mm): 155 x 115 x 57.4 (W x H x D)

Certifications

- CE
- FCC Class A

Ordering Information

- ♦ **NEIO-B1811 (P/N: 10J80181100X0)**
32-CH digital input/output EtherCAT slave module
- ♦ **NEIO-B1812 (P/N: 10J80181200X0)**
32-CH digital input/output EtherCAT slave module
- ♦ **AC to DC din rail power supply (P/N: 7440060001X00)**
60 W 24V/2.5A for NISE