



## Main Features

- Support Intel® Core™ processor (Series 1)/12th Gen Intel® Core™ i processor
- 4 x 4K@60Hz display output: 1 x DP, 1x HDMI® 2.1, and 2 x USB 3.2 Type-C
- Dual 2.5GbE LAN ports, four USB 3.2, and dual USB 3.2 Type-C ports for easy connection
- 1 x M.2 Key M 2280 SSD
- 1 x M.2 Key E 2230 for a Wi-Fi module
- Compact design
- DC 12V input

## Product Overview

Driven by a powerful Intel® CPU, the Neu-X303 series edge computing system can handle very rich multimedia contents. With Intel® processor's low power consumption and new Intel® Iris® X<sup>e</sup> graphics, the platform delivers powerful graphics offering stunning visuals for compelling 4K content creation and media playback. In addition, the Neu-X303 series supports display output by HDMI® and DP ports with flexible integration for various peripherals such as touchscreen displays, scanners, readers, and many more. The Neu-X303 is a compact edge computing system with ample IOs including dual LAN ports, four USB ports, and dual USB Type-C ports to support intelligent vending machine, self-service checkout machine, AI facial recognition, or digital transit information signs. With enhanced performance, it is also ideal as a visual edge computer delivering advertising, hospitality, and brand promotion applications in an all-new immersive experience.

## Specifications

### CPU Support

- Intel® Core™ 7 processor 160UL
- Intel® Core™ 7 processor 150UL
- Intel® Core™ 5 processor 130UL
- Intel® Core™ 5 processor 120UL
- Intel® Core™ 3 processor 100UL
- Intel® Core™ i7-1265UL processor
- Intel® Core™ i7-1255UL processor
- Intel® Core™ i5-1245UL processor
- Intel® Core™ i5-1235UL processor
- Intel® Core™ i3-1215UL processor

### Main Memory

- 2 x 262-pin DDR5 SO-DIMM, non-ECC, unbuffered, up to 64GB

### Graphics & Display

- Intel® Iris® X<sup>e</sup> graphics engine
- 1 x DP, supports 4096x2304@60Hz
- 2 x Display port over USB Type-C, supports 4096x2304@60Hz
- 1 x HDMI® 2.1, supports 7680x4320@60Hz

### I/O Interface-Front

- 1 x Power button
- 1 x HDD LED

### I/O Interface-Rear

- 2 x 2.5GbE RJ45 port
  - 1 x Intel® I225-LM
  - 1 x Intel® I225-V
- 1 x DP
- 1 x HDMI® 2.1
- 4 x USB 3.2, Type-A
- 2 x USB 3.2, Type-C
- 1 x DC 12V input
- 2 x Antenna hole for Wi-Fi

### I/O Interface-Internal

- 1 x USB 2.0 header
- 1 x 9-pin for RS-232
- TPM 2.0

### Storage

- 1 x M.2 Key M 2280 SSD (PCIe x4)

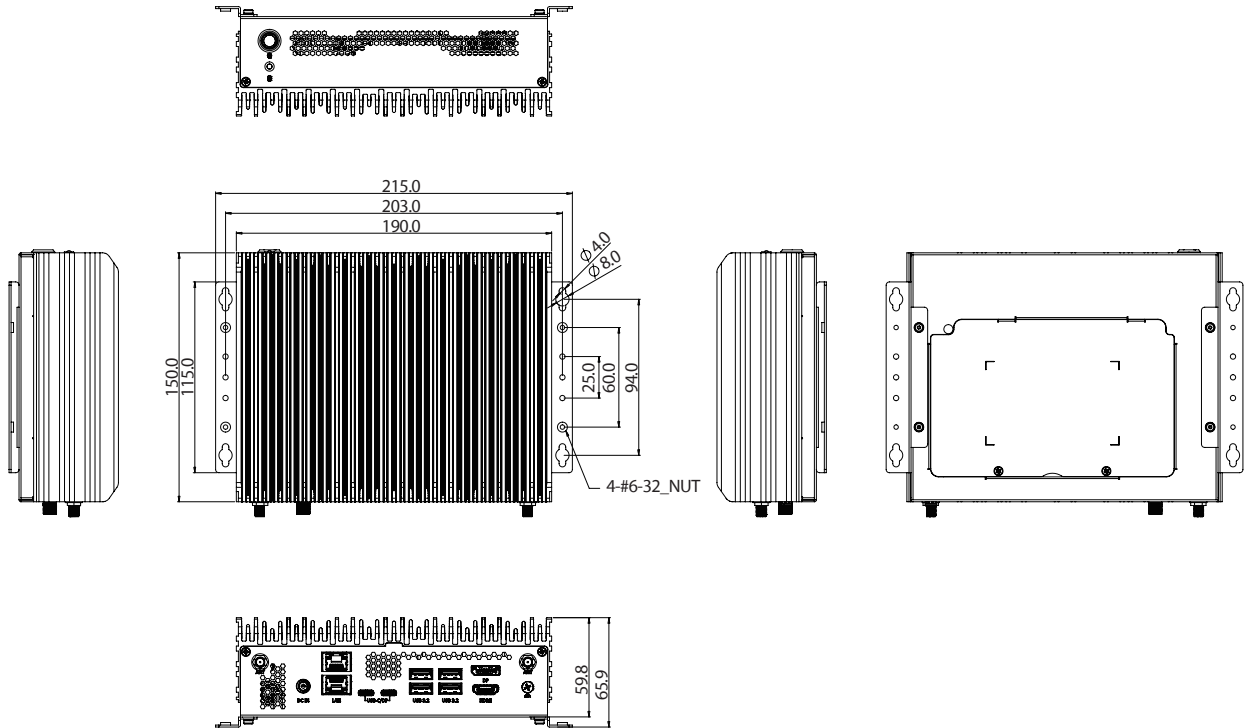
### Expansion

- 1 x M.2 Key E 2230 (PCIe x1)
  - Support a Wi-Fi module

### Power Requirement

- DC 12V input

## Dimension Drawing



### Environment

- Operating temperature: 0°C~50°C, ambient with 0.7m/s air flow
- Storage temperature: -40°C~80°C
- Humidity: 10%~95% (non-condensing)
- Shock protection: 50G peak acceleration, 11ms according to IEC 60068-2-27
- Vibration protection:
  - Random: 2G rms@5Hz~500Hz, IEC 60068-2-64
  - Sinusoidal: 2G@5Hz~500Hz, IEC 60068-2-6

### Certification

- CE (EMC EN 55032 + EN 55035)
- FCC Class A (EMI part 15B)

### Dimensions

- 215mm (W) x 150mm (D) x 65.9mm (H) w/ mount bracket

### Operating System

- Windows 11
- Windows 10, 64bit
- Linux

## Ordering Information

### ◆ Neu-X303 (P/N: 10W10X30301X0)

Edge computing system powered by Intel® Core™ processor (Series 1)/12th Gen Intel® Core™ i processor, DC 12V input