

# VIP 1000-R with Docker

In-Vehicle Dual HDMI Extender Over IP



## Main Features

- Full HD HDMI (1.4b) extender over IP
- 9-36VDC input voltage with ignition control
- E mark for in-vehicle application
- Plug and Play
- 2 x Full HD HDMI output
- Docker platform available
- Selectable video source
- Up to 100 meter distance

## Product Overview

VIP 1000-R with Docker software is a new Full HD dual HDMI Extender over IP system for public transport applications. It extends HDMI signals to over 100m, simplifying the delivery of video in in-vehicle passenger information systems (PIS) and infotainment systems.

The Docker software includes a designed application, allowing users to select video content and deliver different videos over the same network to VIP1000-R for HDMI output. Docker can run on any X86 PC with Linux OS.

To support even more displays, the receiver has an additional RJ-45 network port that acts as an in-vehicle video DaisyChain extender.

## Specifications

### Transmitter:

#### PC System

- X86 computer with NEXCOM's Docker
- OS: Linux

### Receiver: VIP 1000-R

#### I/O Interface-front

- 1 x Power button with LED
- 2 x LED for LAN (Active/Link)
- 2 x 10/100/1000 Mbps Lan switch
- 1 x USB 2.0 type A
- 1 x Reset button
- 2 x buttons for video source selection
- 1 x Phoenix connector for power (9~36VDC)/GND/ignition input

#### I/O Interface-Rear

- 1 x HDMI Type A for main output
- 1 x HDMI Type A for second output

#### Power Management

- System power On/Off by ignition signal

#### Dimensions

- 130 mm (W) x 100 mm (D) x 31 mm (H)

#### Weight

- 0.5 kg

### Environment

- Temperature Operating temperatures: -20°C to 70°C
- Storage temperatures: -40°C to 85°C
- Relative humidity: 90% (non-condensing)

### Vibration & Shock

- Vibration
  - Operating: MIL-STD-810G, Method 514.6, Category 4, common carrier US highway truck vibration exposure
  - Storage: MIL-STD-810G, Method 514.6, Category 24, minimum integrity test
- Shock
  - Operating: MIL-STD-810G, Method 516.6, Procedure I, functional shock=40g
  - Non-operating: MIL-STD-810G, Method 516.6, Procedure V, crash hazard shock test=75g

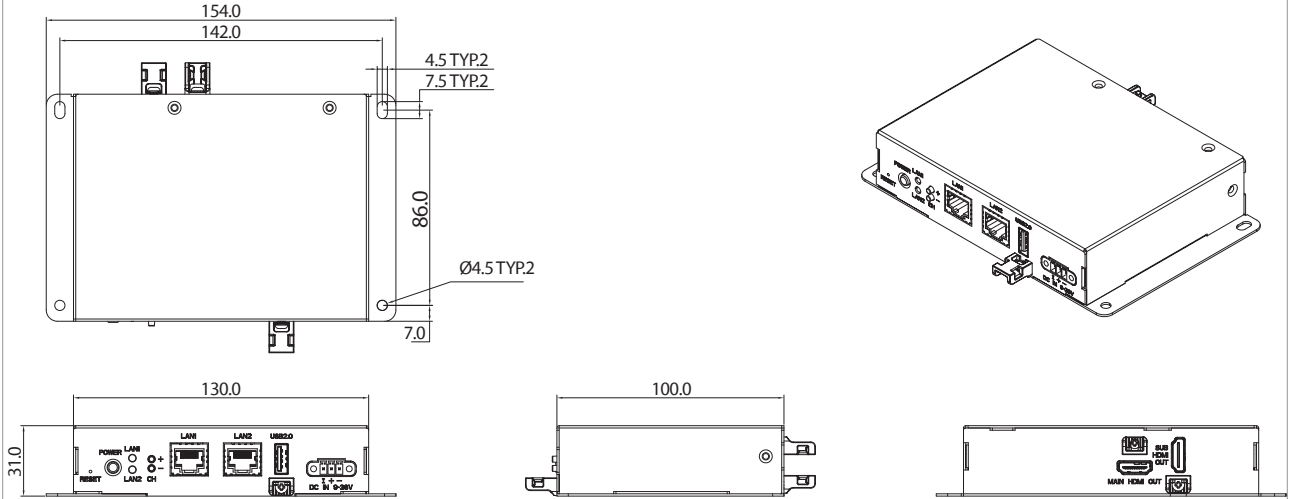
### Certifications

- CE approval
- FCC Class A
- UKCA
- E13 mark

## Ordering Information

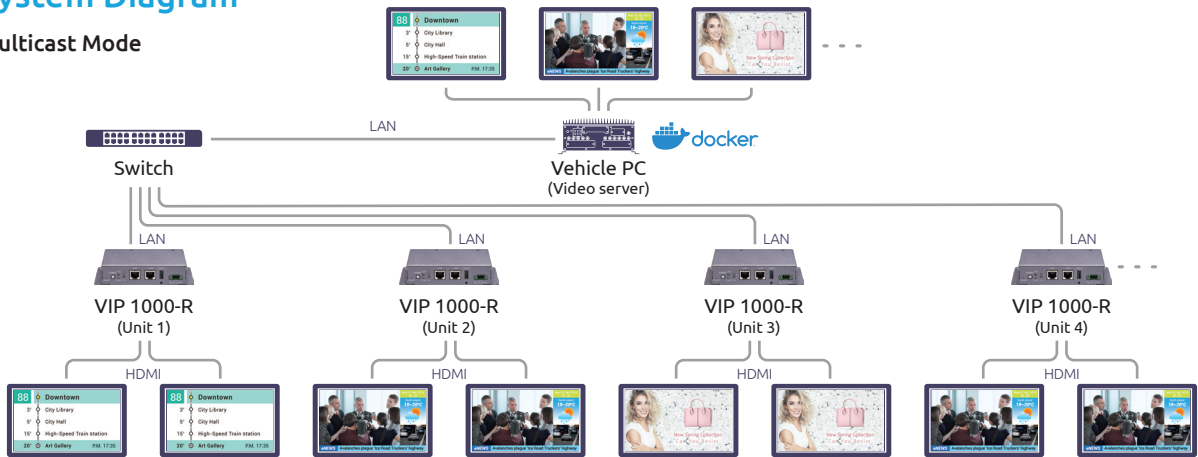
- **VIP 1000-R (P/N: 10V30100001X0)**  
Full HD dual HDMI extender over IP (Receiver)

## Dimension Drawing



## System Diagram

### Multicast Mode



### Daisy Chain Mode

