

APPC 1660-A01

15.6" TFT FHD 16:9 Flush Panel PC with Intel® Processor N97,
Multi-Touch Screen, 8GB DDR5, 3 x COM, 2 x USB, 1 x USB-C



Main Features

- 16:9 15.6" FHD fanless LED panel computer
- Intel® Processor N97, Quad Core 2.0GHz, 6M Cache
- 10 points P-Cap multi-touch with zero bezel flush front design
- 1 x DDR5 4800MHz with default 8GB installed
- Additional 2nd Display: 1 x DP/1 x USB-C
- Dual Intel® 2.5GbE LAN ports, 2 x USB 3.2, 1 x Line out
- 2 x RS-232/422/485, 1 x RS-232, 1 x Mini PCIe, 2 x M.2
- IP65 compliant front panel
- Mounting support: panel/wall/stand/VESA 100mm x 100mm
- DC power input 24V DC

Product Overview

The new 15.6-inch FHD fanless panel PC APPC 1660-A01, featuring an industrial motherboard, is designed for versatile industrial applications. APPC 1660-A01 supports 1920 x 1080 (FHD) resolution and 400 cd/m2 brightness. Its front panel, with a flush, narrow bezel design, complies with the IP65 standard, making it well-suited for industrial environments.

APPC 1660-A01 includes dual 2.5 Gigabit Ethernet connectors, one Mini PCIe slot, and two M.2 slots to support multiple networks, including LAN, WLAN, and WWAN (5G), as well as various storage options. Additionally, APPC 1660-A01 can connect to a second display via DP and USB-C for dual independent display. Two adjustable RS-232/422/485 ports are also available. APPC 1660-A01 is an ideal choice for general industrial equipment integration.

Specifications

Panel

- LCD size: 15.6", 16:9
- Resolution: : FHD 1920 x 1080
- Luminance: 400cd/m²
- Contrast ratio: 1000:1
- LCD Color: 16.7M
- Viewing angle: 89 (U), 89 (D), 89 (L), 89 (R)
- Backlight: LED

Touch

- Ten points P-Cap (projected capacitive touch)
- Touch light transmission: 85%
- Anti-scratch surface: 7H hardness
- Touch interface: USB

System

- CPU : Onboard Alder Lake N Intel® processor N97
- BIOS: AMI BIOS
- Support TPM 2.0
- System memory: 1 x DDR5 SO-DIMM, 8G memory (pre-installed)
- Storage device
 - 1 x Key B.M.2 2242 (SATA)

Rear I/O interface

- Power button
- 1 x 2-pin remote power on/off terminal block
- 24V DC input with 3 pins terminal block
- 2 x USB 3.2 Type-A
- 2 x RJ45
- 1 x DP 1.4a, up to 4K@60Hz
- 1 x USB Type-C, supports USB 3.2 / DP 1.4a Alt. mode, up to 4K@60Hz
- DB9 for COM1 & COM2
 - COM1: RS-232/422/485 auto flow control
 - COM2: RS-232/422/485 auto flow control
- 1 x DB9 for RS-232 support
- 1 x Line out

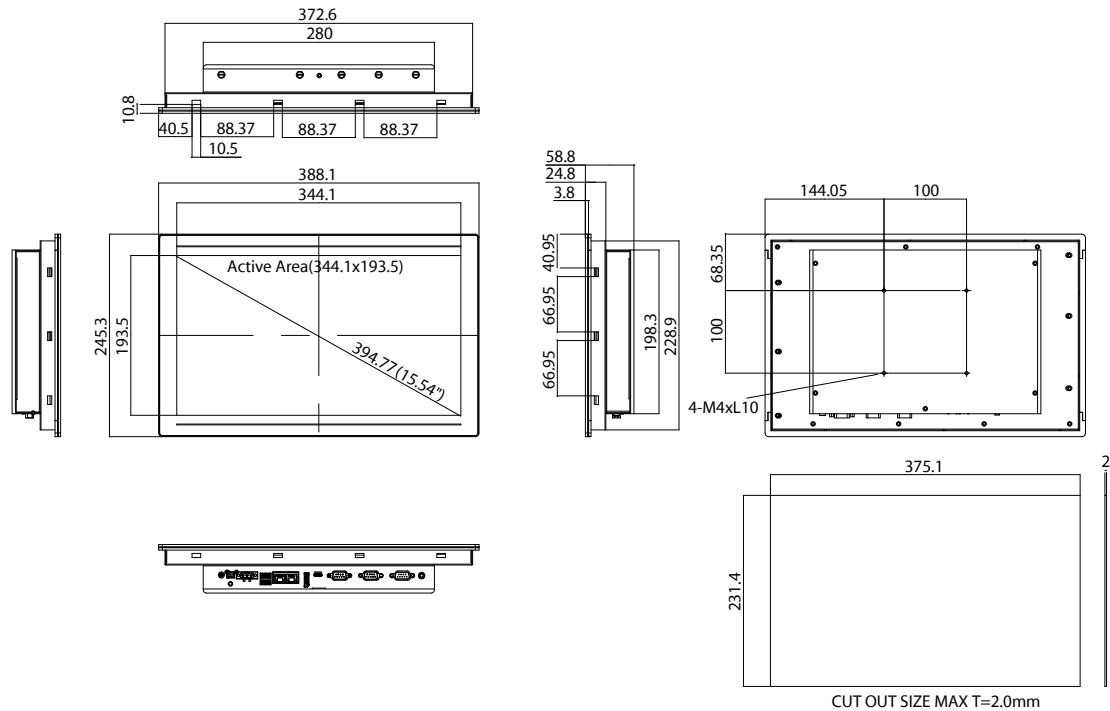
Ethernet

- LAN chip: dual Intel® I226-IT Gigabit LAN
- Ethernet interface: 2.5GBase-T Ethernet compatible
- Support WoL and PXE

Audio

- HD audio codec: REALTEK ALC888S-VD
- Audio interface: Line out

Dimension Drawing



Internal Slot

- 1 x Mini PCIe (PCIe x1, USB 2.0) SIM for Wi-Fi/FBI/LTE
- 1 x Key B M.2 2242 (SATA) for storage
- 1 x Key B M.2 2230 / 3042 / 3052 (PCIe X1, USB 3.0, USB 2.0) SIM for 5G/LTE
- 1 x nano SIM card slot onboard
- 1 x USB 2.0 Type-A

Mechanical & Environment

- Color: Pantone 400C/RAL 090 80 10 aluminum front bezel and black silver PC box
- IP protection: IP65 front
- Mounting: panel/wall/stand/VESA 100mm x 100mm
- Power
 - Power input: 24V DC \pm 20%
 - AT/ATX power mode, default: ATX power mode
 - Power adapter: optional AC to DC power adapter (24V DC, 60W)
- Vibration:
 - 2G@sine, 5~500Hz, 1hr/axis, IEC 60068-2-64
 - 2Grms@random condition, 5~500Hz, 0.5hr/axis, IEC 60068-2-64
- Shock:
 - 20G@wall mount, half sine, 11ms, IEC 60068-2-27
- Temperature:
 - Operating temperature: 0°C to 50° (Ambient with air flow)
 - Storage temperature: -20°C to 75°C
- Operating humidity: 10% to 90%, non-condensing, limits to be at 90% RH at max 50°C
- Dimension: 388.1mm x 245.3mm x 58.8mm
- Weight: 4.61g

Certifications

- CE approval (EN 55032, EN 55035)
- FCC Class A

OS Support Lists

- Windows 11

- Windows 10, 64bit

Ordering Information

Barebone

- **APPC 1660-A01 (P/N: 10IA1660C01XE)**
15.6" FHD LED backlight touch panel PC, Intel® N97 up to 3.6GHz, Multi-Touch screen, 8GB DDR5, 2 x RS232/422/485, 1 x RS232, 2 x Intel® I226-IT Gigabit LAN

Options

- **24V, 60W AC/DC power adapter w/o power cord (P/N:7400060054X00)**