

# APPD 2100-2

21.5" IP65 Industrial 16:9 FHD LCD Flush Touch Monitor



## Main Features

- IP65 compliant aluminum front bezel with zero bezel flush front design
- 7H Hardness 10 points P-Cap multi-touch
- Triple display input interface: analog VGA/DVI-D/DisplayPort
- Shares identical appearance with APPC series
- Ultra slim in depth
- Multiple mounting way for easy integration

## Product Overview

The 21.5-inch 16:9 LCD display APPD 2100-2 features a 10-point P-Cap multi-touch screen, 500 cd/m<sup>2</sup> brightness, and supports resolutions up to 1920 x 1080. APPD 2100-2 is ideal for space-constrained environments where systems and displays are separated. Its flush panel design with a slim bezel and IP65-rated front panel ensures durability in demanding industrial settings.

APPD 2100-2 offers a variety of video interfaces, including VGA, DVI, and DisplayPort, supporting both digital and analog signals. APPD 2100-2 accepts 24VDC ±20% power input and provides panel mount and VESA mount options for flexible installation. APPD 2100-2 is the perfect companion for NEXCOM NISE fanless computers, NIFE Automation PC series, and APPC panel PCs when a second display is needed.

## Specifications

### Panel

- LCD size: 21.5", 16:9
- Resolution: FHD 1920 x 1080
- Luminance: 500cd/m<sup>2</sup>
- Contrast ratio: 1000:1
- LCD Color: 16.7M
- Viewing angle: 89 (U), 89 (D), 89 (L), 89 (R)
- Backlight: LED

### Touch Screen

- Ten points P-Cap (projected capacitive touch)
- Touch light transmission: 85%
- Anti-scratch surface: 7H hardness
- Touch interface: USB

### Rear I/O

- Touch screen interface port: USB Type-A
- Video port: VGA (1 x DB15) / DVI-D (1 x DVI-I connector) / DisplayPort
- DC power input connector: 3-pin Phoenix terminal block

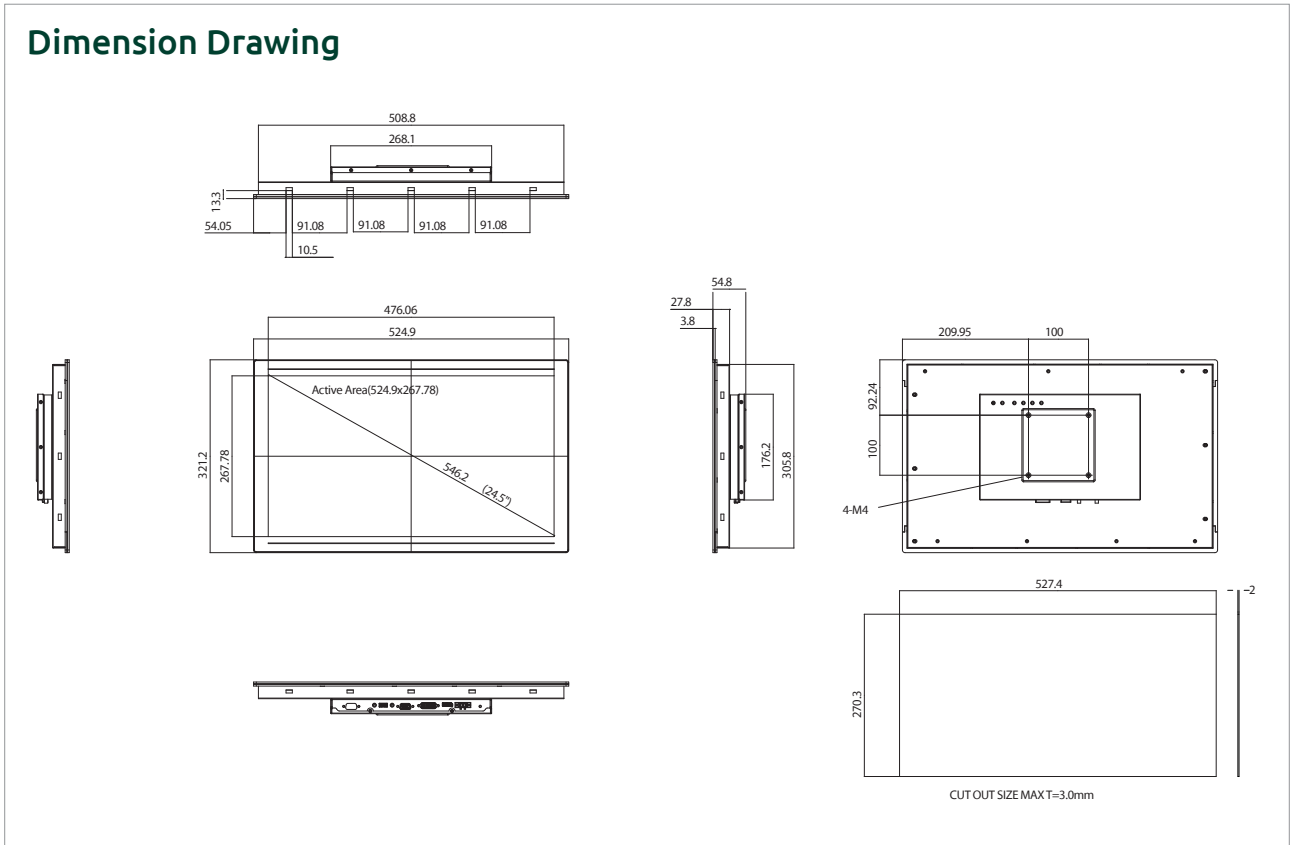
### OSD Function

- OSD keypad

### Mechanical & Environment

- Color: Black silver
- IP protection: IP65 front
- Mounting: panel/wall/stand/VESA 100mm x 100mm
- Power
  - Power input: 24V DC ± 20%
  - Power adapter: optional AC/DC power adapter (24V DC, 60W)
- Vibration:
  - 2G@sine, 5~500Hz, 1hr/axis (Panel Mounting operating), IEC 60068-2-64
  - 2Grms@random condition, 5~500Hz, 0.5hr/axis (Panel Mounting operating), IEC 60068-2-64
  - 1G@sine, 5~500Hz, 1hr/axis (VESA Mounting operating), IEC 60068-2-64
  - 1Grms@random condition, 5~500Hz, 0.5hr/axis (VESA Mounting operating), IEC 60068-2-64
- Shock:
  - 20G@wall mount, half sine, 11ms (operating), IEC 60068-2-27
- Temperature:
  - Operating temperature: 0°C to 50° (Ambient with air flow)
  - Storage temperature: -20°C to 75°C
- Operating humidity: 10% to 90%, non-condensing (limits to be at 90%RH at max 40°C; limits to be at 44% RH at max 50°C)
- Dimension: 524.9mm x 321.2mm x 54.8mm
- Weight: 6.3Kg

## Dimension Drawing



### Certifications

- CE approval (EN 55032, EN 55035)
- FCC Class A

## Ordering Information

### Barebone

- **APPD 2100-2 (P/N: 10IA0210000X0)**  
21.5" FHD industrial 16:9 LED backlight flush touch monitor with VGA, DVI-D and display port, 24VDC input, USB touch screen interface

### Options

- **24V, 60W AC/DC power adapter w/o power cord (P/N:7400060054X00)**
- **1.8m DVI-D male to DVI-D male cable (P/N: 603DVI0007X00)**