



Main Features

- IP65 compliant aluminum front bezel with zero bezel flush front design
- 7H Hardness 10 points P-Cap multi-touch
- Triple display input interface: analog VGA/DVI-D/DisplayPort
- Shares identical appearance with APPC series
- Ultra slim in depth
- Multiple mounting way for easy integration

Product Overview

The 15.6-inch 16:9 LCD display APPD 1600-2 features a 10-point P-Cap multi-touch screen, 400 cd/m² brightness, and supports resolutions up to 1920 x 1080. APPD 1600-2 is ideal for space-constrained environments where systems and displays are separated. Its flush panel design with a slim bezel and IP65-rated front panel ensures durability in demanding industrial settings.

APPD 1600-2 offers a variety of video interfaces, including VGA, DVI, and DisplayPort, supporting both digital and analog signals. APPD 1600-2 accepts 24VDC ±20% power input and provides panel mount and VESA mount options for flexible installation. APPD 1600-2 is the perfect companion for NEXCOM NISE fanless computers, NIFE Automation PC series, and APPC panel PCs when a second display is needed.

Specifications

Panel

- LCD size: 15.6", 16:9
- Resolution: FHD 1920 x 1080
- Luminance: 400cd/m²
- Contrast ratio: 3000:1
- LCD Color: 16.7M
- Viewing angle: 89 (U), 89 (D), 89 (L), 89 (R)
- Backlight: LED

Touch Screen

- Ten points P-Cap (projected capacitive touch)
- Touch light transmission: 85%
- Anti-scratch surface: 7H hardness
- Touch interface: USB

Rear I/O

- Touch screen interface port: USB Type-A
- Video port: VGA (1 x DB15) / DVI-D (1 x DVI-I connector) / DisplayPort
- DC power input connector: 3-pin Phoenix terminal block

OSD Function

- OSD keypad

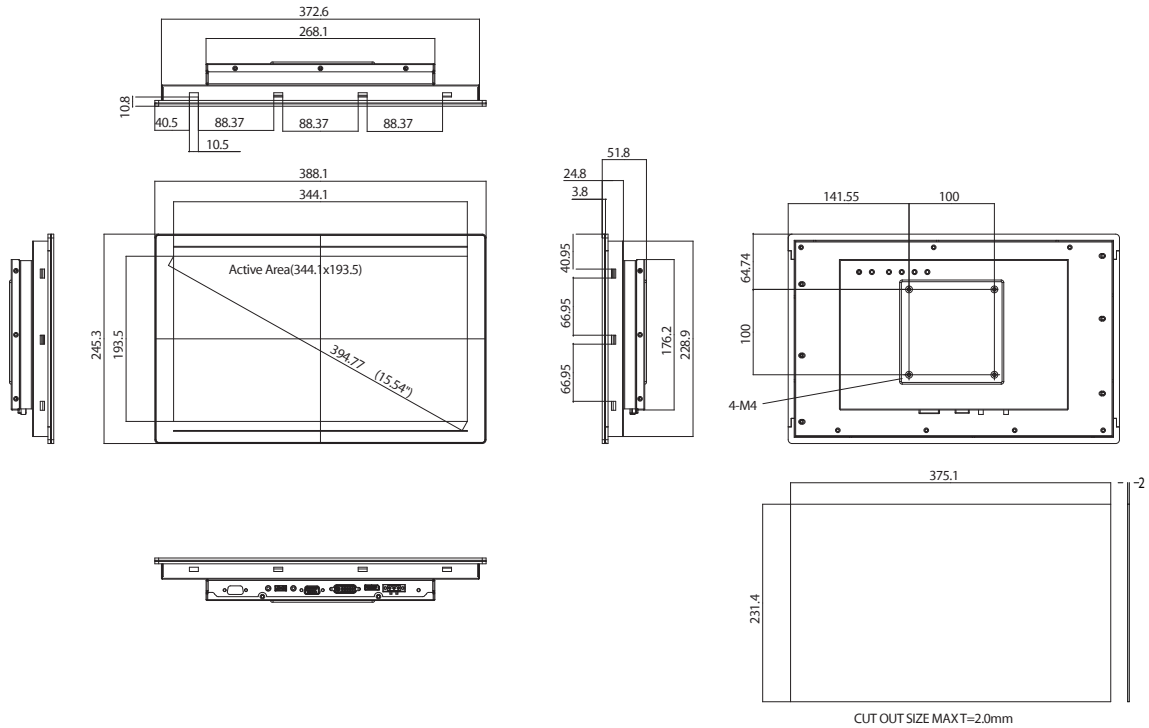
Mechanical & Environment

- Color: Black silver
- IP protection: IP65 front
- Mounting: panel/wall/stand/VESA 100mm x 100mm
- Power
 - Power input: 24V DC ± 20%
 - Power adapter: optional AC/DC power adapter (24V DC, 60W)
- Vibration:
 - 2G@sine, 5~500Hz, 1hr/axis (operating), IEC 60068 2-6
 - 2Grms@random condition, 5~500Hz, 0.5hr/axis (operating), IEC 60068-2-64
- Shock:
 - 20G@wall mount, half sine, 11ms (operating), IEC 60068-2-27
- Temperature:
 - Operating temperature: 0°C to 50° (Ambient with air flow)
 - Storage temperature: -20°C to 75°C
- Operating humidity: 10% to 90%, non-condensing
- Dimension: 388.1mm x 245.3mm x 51.8mm
- Weight: 3.8Kg

Certifications

- CE approval (EN 55032, EN 55035)
- FCC Class A

Dimension Drawing



Ordering Information

Barebone

- **APPD 1600-2 (P/N: 10IA0160000X0)**
15.6" FHD industrial 16:9 LED backlight flush touch monitor with VGA, DVI-D and display port, 24VDC input, USB touch screen interface

Options

- **24V, 60W AC/DC power adapter w/o power cord (P/N:7400060054X00)**
- **1.8m DVI-D male to DVI-D male cable (P/N: 603DVI0007X00)**