



Main Features

- 15" 4:3 XGA (1024 x 768) TFT LCD panel
- 15" 5-wire resistive touch screen
- 2nd/3rd generation Intel® Core™ i3/i5/i7 processor
- Support DDR3 1333 SO-DIMM memory
- 2.5" removable SATA HDD
- Powered COM (4), USB (4), printer port (1), VGA (1), GbE LAN (1), cash drawer (1)
- Front bezel complies with IP-65 protection standard
- Option kits for MSR/Fingerprint/VFD
- Optional VESA 100 x 100mm mounting for wall-mount application

Product Overview

The NPT 5850 is a high performance Point-of-Sale (POS) hardware solution to fulfill your POS hardware requirement. Removable HDD, MSR, fingerprint and VFD kit design provides an easy maintenance method and saving your service cost. The +12VDC output provides sufficient power for your 2nd display from POS terminal and offers better cable routing and high-integration for the 2nd display. Small footprint is ideal for installations where space is compact in stores. The VESA mounting design of display head, only 100 x 100mm, provides another option for wall-mounting application when detaching the stand of terminal. The design offers a spill resistant and high integration for POS peripherals, which provides restaurant and retail conditions with continuous operation.

Specifications

Panel

- LCD Size: 15", 4:3
- Resolution: XGA 1024 x 768
- Luminance: 250cd/m²
- Contrast ratio: 700
- LCD color: 16.2M
- Viewing angle: 80 (upper), 80 (lower), 85 (left), 85 (right)
- Backlight: CCFL/LED
- Touch screen: 5-wire Resistive
- Touch light transmission: 80%
- Touch interface: USB

System

- CPU:
 - Default:
Intel® Pentium® processor B950, 2C/2T, 2.10 GHz, 2MB Cache
 - Upgrade Optional:
2nd generation Intel® Core™ mobile processor: i7-2710QE, 4C/8T, 2.1GHz, 6MB Cache; i5-2510E, 2C/4T, 2.5GHz, 3MB Cache; i3-2330E, 2C/4T, 2.2GHz, 3MB Cache
 - Optional:
Intel® Celeron® processor B810, 2C/2T, 1.60 GHz, 2M Cache
- BIOS: AMI BIOS
- System chipset: Intel® HM65
- System memory: 1 x 204-pin DDR3 1333 SO-DIMM socket, 2GB DDR3 (default), optional two sockets support up to 8GB DDR3 1333,

non-ECC and un-buffered

- Hard disk drive: One 2.5" 320 GB SATA HDD, removable type
- Expansion: 1 x Mini-card socket for Mini-PCIe and USB interface

Rear I/O

- USB: 4 x USB 2.0 port
- COM: 4 x DB-9 powered RS-232 port, adjust RI/5V/12V by BIOS setting
- Ethernet: 1 x RJ-45, 10/100/1000 Mbps
- VGA: 1 x DB-15 2nd VGA port
- Cash drawer: 1 x RJ-11 port, support two cash drawers (24V, Max 1.1A)
- Parallel: 1 x DB-25 printer port
- Audio: 1 x Line-out jack
- DC-IN: 1 x +19VDC input, Mini-DIN 4Pin lock type
- DC-OUT: 1 x +12VDC output for 2nd display power (12V, Max 3.0A)

Audio

- High Definition audio codec: Realtek ALC886-GR
- Internal audio: One 3W speaker
- External audio: Line-out audio jack

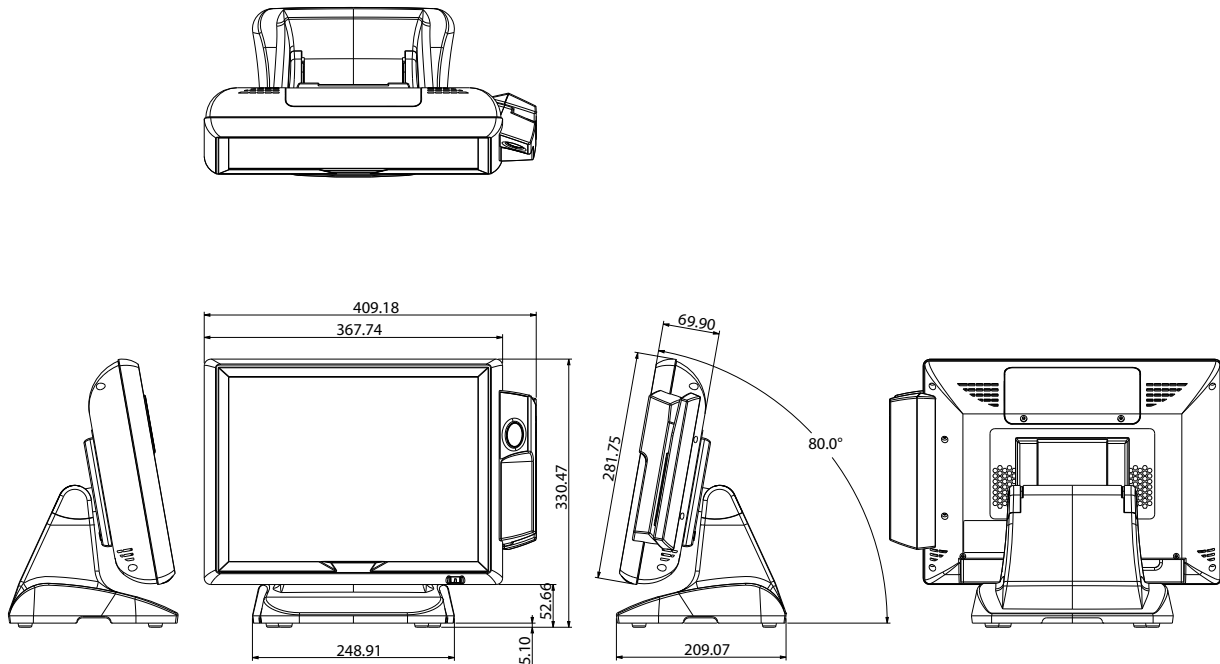
Ethernet

- LAN chip: Intel® PHY WG82579LM Gigabit LAN
- Ethernet interface: 10/100/1000 Based-TX Ethernet compatible

Mechanical & Environment

- Color: Iron gray/black

Dimension Drawing



- Mounting: desktop type, optional VESA 100 x 100mm wall-mount when detaching stand
- IP protection: front bezel complies with IP-65 protection standard
- Power input: +19VDC
- Power adapter: AC to DC power brick (+19VDC/6.315A, 120W)
- Operating temperature: 0°C to 40°C
- Storage temperature: -20°C to 60°C
- Operating humidity: 20% ~ 80% relative humidity, non-condensing
- Dimension: 368mm (W) x 331mm (H) x 210mm (D) (No MSR), 410mm (W) x 331mm (H) x 210mm (D) (with MSR)
- Weight: 8.5kg
- Tilt angle: 0° ~ 80°

Certifications

- CE approval
- FCC Class A

Ordering Information

◆ NPT 5850-035 (P/N: A0Y00585004X0)

- Color :Black
- CPU: Intel® Core™ i3/i5/i7 mobile processor,2C/2T,2.10GHz, 2MB cache
- LCD/Touch: 15" XGA 1024 x 768 250nits with LED Backlight/ELO 5-wire resistive touch
- Memory: 2GB DDR3 SO-DIMM
- HDD: 320GB 2.5" SATA 5,400rpm
- Power: +19VDC/120W power brick

◆ Options

- -3G module kit (P/N: BW00000023X00)
- WiFi module kit (P/N: TBD)