

NDiS B338-LITE

Slim Visual Edge Computer
Powered by Intel® Celeron® Processor J6412



Main Features

- Intel® Celeron® Processor J6412
- Support 2 x HDMI 1.4 output
- Support 12V DC input
- Compact and slim fanless design (H: 39.8mm)
- 2 x DDR4 up to 32G
- 1 x Intel® I226V 2.5G LAN Port
- 1 x M.2 2280 Key M for optional storage device
- 1 x M.2 3052 Key B for optional LTE or 5G modules
- 1 x mini-PCIe for optional Wi-Fi or LTE

Product Overview

The NDiS B338-LITE slim visual edge system is powered by an Intel® Celeron® processor and is capable of handling two independent display outputs. It supports up to 2 x HDMI 2.0 outputs, USB 3.0 ports, and an two RS232 interfaces. This makes it an ideal choice for optimizing information visualization, conveying brand messages, improving customer engagement, and increasing smart retail management efficiencies. Moreover, it can be utilized as a gateway for smart city applications. The NDiS B338-LITE is a slim-type fanless embedded system with extended temperature durability, making it suitable for outdoor usage in locations such as QSR drive-through kiosks, information stands, bus stops, or digital transit information signs. It is also an excellent IoT device which is extensively used in data collection applications, providing real-time monitoring, object detection, and facial recognition in areas such as airports, public spaces, and smart infrastructure.

Specifications

CPU Support

- Intel® Celeron® Processor J6412, 10W

Graphic

- Intel® UHD Graphics

Main Memory

- 2 x 260-pin SO-DIMM sockets, supports DDR4 3200MT/s MHz, non ECC, un-buffered memory up to 32G (single socket max. 16GB)

I/O Interface-Front

- Power button with LED
- 2 x COM port
 - COM1/COM2: RS232
- 4 x Antenna holes

I/O Interface-Rear

- 2 x HDMI 1.4 support 4K@30Hz
- 1 x Intel® I226V 2.5G Ethernet LAN port with LEDs
- 1 x USB 3.2
- 5 x USB 2.0
- 1 x Mic-in
- 1 x Line-out
- 12V DC input

Internal I/O

- 8 x GPIO (4 x GPI, 4 x GPO)
- TPM 2.0 onboard
- 1 x USB 2.0 pin header
- 1 x Speaker-out pin header with 2.5W/8Ω amplifier

Expansion

- 1 x M.2 3052 Key B (PCIe x1, USB 3.1, USB 2.0) for optional LTE or 5G modules
- 1 x mini-PCIe slot (USB 2.0, PCIe/SATA) for optional Wi-Fi or LTE modules
- 1 x SIM slot

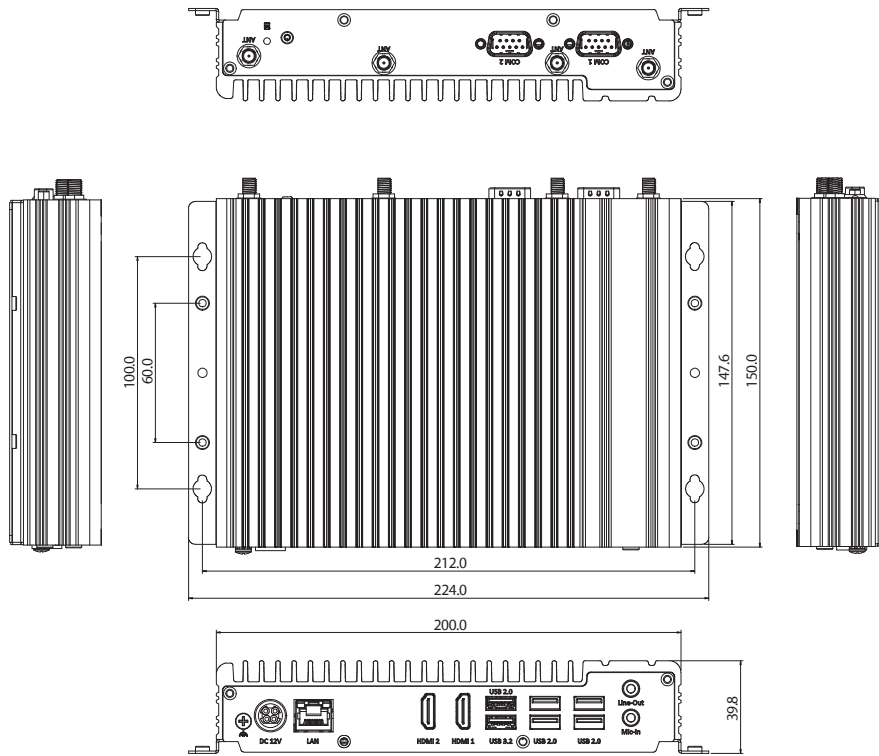
Storage

- 1 x M.2 2280 Key M (PCIe Gen3 x2 + SATA) for optional storage modules

Power Supply

- 1 x External 60W AC/DC power adapter
- Input: 100VAC to 240VAC
- DC Output: +12VDC

Dimension Drawing



Environment

- Operating temperature: -20°C to 60°C with 0.7 air flow
- Storage temperature: -20°C to 80°C
- Humidity: 10 to 95% (non-condensing)

Dimensions

- 224mm (W) x 150mm (D) x 39.8mm (H) (with wall mount bracket)

Certifications

- CE
- FCC Class A

Operating System

- Win10/Win11
- Linux

Ordering Information

- **NDiS B338-LITE (P/N: 10W00B33802X0)**
Intel® Celeron® Processor J6412 slim and fanless system