

NCb-231

2MP LPR High Speed Box Camera, 2/3" Image Sensor, Global Shutter



Main Features

- LPR high speed box camera
- Full HD1080P @50fps
- 2/3" Image sensor
- Global shutter
- Support -20°C ~ 60°C /-4°F ~ 140°F
- Lens optional

ONVIF



Product Overview

NCb-231 is the new Box type NexCam with extremely clear image which is specifically for LPR/ANPR applications. It uses 2/3" Full HD progressive scan CMOS image sensor and Global Shutter for having excellent performance under low light environment and the object is high speed moving. Users can analyze the image easily and raise up the recognition. Thus, NCb-231 is the most appropriate solution for your traffic surveillance system.

Global Shutter

Global Shutter feature means that all pixels of the array are exposed simultaneously, thus enabling "freeze frame" capture of fast moving or fast changing events and in this respect. With this feature, NCb-231 can provide the image without spatial distortion and enhance the intelligibility when the object over 200km (124miles).



1080P @ 50 fps

NCb-231 supports high-performance H.264/MJPEG compression technology and offers extra smooth video at up to 50fps in 1080p. Furthermore, Video ROI[Region Of Interest] function reduce bandwidth and storage requirement, providing users with the best option in bandwidth flexibility and storage efficiency.

Rich I/O

NCb-231 Rich I/O allows the users to have the advantages when connecting essential external devices such as audio jack, micro SD cardslot, flash strobe out and IR strobe out in order to achieve the best performance for any critical environments. It also allows the users to use Digital Input and Digital output for the applications such as alarm system.

Specifications

Camera General Information

Image Sensor	2/3" FullHD progressive scan CMOS image sensor
Minimum Illumination	B/W 0.05 lux / Color 0.5 lux @F1.2
Lens	CS mount
Field of View	N/A
Iris Type	DC-Iris
Day and Night	Yes (with ICR & Light sensor)
IR Distance	N/A
IR Wavelength	N/A
Target Capture Plate	Reflective and Non-reflective
Capture Plate Distance	20M~35M
Car Speed	250KM/h max.
IR Control	N/A
ICR	YES
WDR	YES
Image Enhance	Brightness, Contrast, Saturation, Sharpness, Mirror, Flip, Day/Night, Anti-flicker,AWB

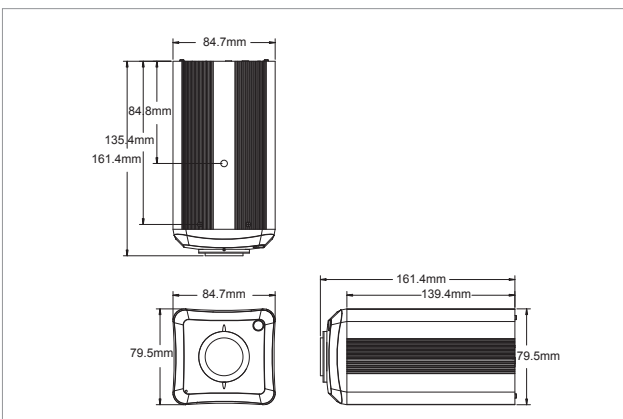
Video

Video Compression	H.264/M-JPEG
Video Streaming	Triple Streaming
Video Resolution	1920x1080 to 320x240
Video Quality	VBR/CBR
Frame Rate	1920x1080 @50 fps 1280x720 @50 fps 720x576 @50 fps 720x480 @50 fps 640x480 @50 fps 320x240 @50 fps

Audio

Audio Streaming	Two-way
Audio Compression	G.711 8KHz/16bit
Audio Input	Line-in
Audio Output	Line-out

Dimension Drawing



Network

Interface	10/100/1000 Mbps Ethernet, RJ-45
Supported Protocols	HTTP, TCP/IP, UDP, RTP, RTSP, FTP, SMTP, DHCP, DNS, DDNS, NTP, uPnP, ONVIF, IPv4/v6
Browser	Internet Explorer (support up to IE 10), Chrome, Firefox, Safari
Security	Multi-level passwords/HTTP encryption

I/O Connector

Audio in/ out Port	3.5 mm phone jack x1
D I/O	Dix2, DOx2
RS485	YES
Micro SD Card Slot	YES
RJ45	YES
RS232	YES
Flash Strobe Out	YES (Event Trigger)
IR LED Strobe Out	YES (Frequently)
Reset Botton	x2 (for HW reset and back to default setting)

Event Management

Event Trigger	Motion detection, DI
Notifications	Trigger alarm output, email/FTP and record video to PC or SD card
Post Recording	YES
Pre Recording	YES

Power

DC/AC	DC12V/AC 24V terminal block
POE	YES/IEEE 802.3af

General

Power Consumption	up to 6W max
Weight	1200g
Dimension	160mm (D) x 85mm (W) x 79.5mm (H)
Operating Temp.	-20°C ~ 60°C/-4°F ~ 140°F
Humidity	90%RH (no condensation)
Certification	CE/FCC
Vandal Resistante	N/A
Weather Proof	with housing
Application	SDK available for application development

Packaging Information

NWT	1200g
GWT	1420g
Dimension	231mm (D) x 149.5mm (W) x 135mm (H)

Ordering Information

- ◆ NCB-231 (P/N: 10HB0023100X0)