

NDiS B328-KI3

Fanless Embedded Computer Powered
by Intel® Core™ i3-7100U, SoC Processor



Main Features

- Intel® Core™ i3-7100U
- HDMI 4K resolution
- USB 3.0 support
- WLAN support
- Compact and fanless design

Product Overview

Powered by 7th Intel® Core i3 SoC processor, NDiS B328-KI3 digital signage player can handle very rich multimedia contents. With Intel® processor low power consumption feature, In addition, the Intel® Core™ processors deliver significant improvements up to two and a half times the performance in graphics offering stunning visuals for compelling 4K content creation and media playback. NDiS B328-KI3 series support display output by HDMI ports and integration flexibility with various peripherals such as touchscreen displays, scanners, readers, and many more. NDiS B328- KI3 series the fanless durability further extends to semi-outdoor usage like QSR drive through kiosks, box office displays, information stands, bus stops or digital transit information signs. It is also ideal as a digital signage player delivering enhanced performance and new immersive experiences for advertising, hospitality and brand promotion applications.

Specifications

CPU Support

- Intel® Core™ i3-7100U SoC processor Dual Core 2.4GHz

Graphic

- Intel® integrated HD 620 graphics

Main Memory

- 2 x 204-pin SO-DIMM sockets, supports DDR4 2133MHz non- ECC, un-buffered memory up to 32G (single socket max. 16GB)

I/O Interface-Front

- 4 x USB 3.0
- 1 x DB9 for RS232 (cable)
- 1 x Storage active LED
- 1 x Power switch with LED

I/O Interface-Rear

- 1 x DC-in jack, 2.5mm (19V DC)
- 2 x HDMI 1.4 (4K resolution)
- 2 x Antenna hole
- 2 x USB 3.0

- 1 x RJ45 with LEDs for Gigabit LAN
- 1 x Line-out
- 1 x Mic-in

Storage Device

- 1 x 2.5" SATA3 HDD/SSD
- 1 x M.2 2280 SSD, PCIe by 4+ SATA signal

Expansion

- 1 x M.2 E key 2230 slot, support Wi-Fi

Dimensions

- 224.34mm (W) x 147.4mm (D) x 35mm (H)

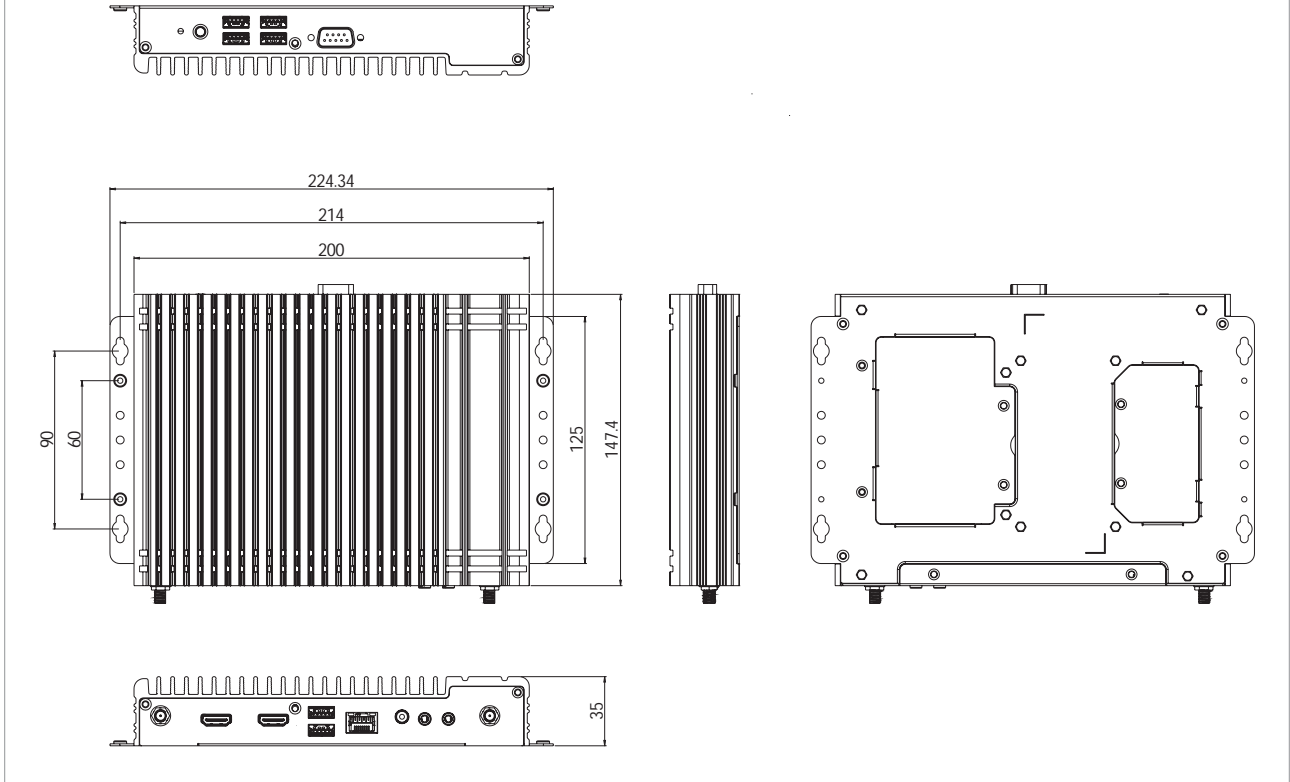
Power Supply

- DC power input +19V

Environment

- Operating temperature: @ 100% CPU loading and component thermal profile from 0°C ~50°C (with HDD), -20°C~50°C (with SSD)
- Storage temperature: -20°C~70°C
- Humidity: 95% (non-condensing)

Dimension Drawing



Certification

- CE approval
- FCC Class A

Operating System

- Win10 64-bit

Ordering Information

- **NDiS B328-K13 (P/N: 10W00B32809X4)**
Intel® Core™ i3-7100U SoC processor, fanless system