

NEIO-B1101/B1102

32ch Digital Input EtherCAT Slave Module



NEIO-B1101



NEIO-B1102

Main Features

- ◆ Finger-safe wiring cover
- ◆ Detachable screw terminals
- ◆ Rotational pin-assignment marks
- ◆ On-module LED indicators
- ◆ User-friendly wiring label
- ◆ Multiple mounting methods

Product Overview

NEIO is a series of EtherCAT slave I/O modules for distributed industrial applications. Each module is equipped with high density I/O (up to 32 points) and powerful features in a compact size. DIN-rail design and daisy-chain wiring powered by EtherCAT technology make it easy to install NEIO modules in the field. NEIO provides wide variety of I/O combinations with standard ESI file so that users can always find suitable I/O modules for their high-speed EtherCAT-based applications.

Specifications

Digital Input

Model Name	NEIO-B1101	NEIO-B1102
Type	Sink	Sink/Source
Input Voltage	24V _{DC}	24V _{DC}
On-State Voltag, "1"	15~30V _{DC} (IEC 61131-2 type 1) 11~30V _{DC} (IEC 61131-2 type 2/3)	9~24V _{DC} /0~15V _{DC}
Off-State Voltag, "0"	0~5V _{DC} (IEC 61131-2 type 1/2/3)	0~8V _{DC} /16~24V _{DC}
Input Filter	3 ms	1 ms

Communication

- ◆ Protocol: EtherCAT
- ◆ Bus interface: 2 x RJ-45 (daisy-chain)
- ◆ Media: Ethernet cable (min. CAT 5), shielded
- ◆ Distance between stations: maximum. 100m (100BASE-TX)
- ◆ Data transfer rate: 100M baud

Power Requirements

- ◆ DC input range: DC 24V ±20% with over-voltage and reversed-voltage protection

Model Name	NEIO-B1101	NEIO-B1102
Power Consumption	2 W	2.5 W

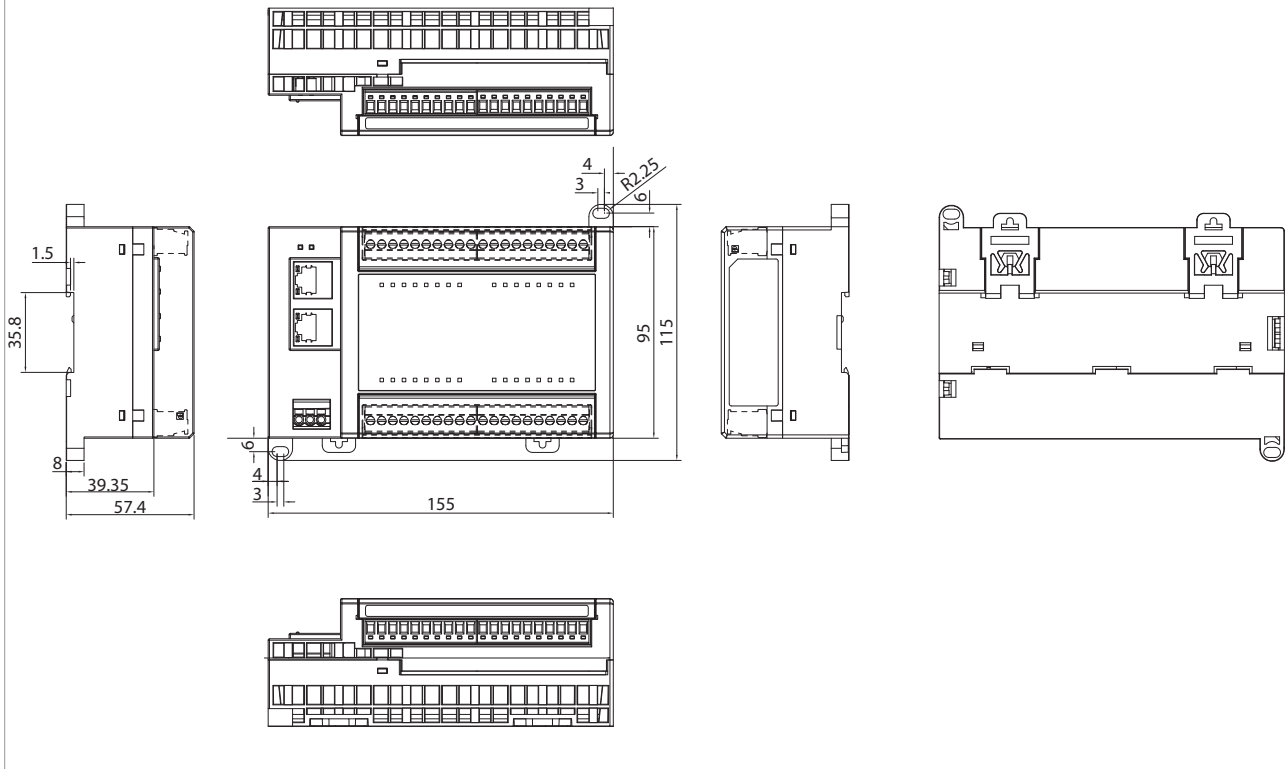
Common Section

- ◆ Electrical isolation: 2.5 KV (power contact)
- ◆ Operating temperature: 0°C to 55°C
- ◆ Storage temperature: -40°C to 85°C
- ◆ Relative humidity: 5~95%, non-condensation, non-operating
- ◆ Shock: IEC 60068-2-27
- ◆ Vibration: IEC 60068-2-6, IEC 60068-2-64
- ◆ Enclosure type rating: IP20
- ◆ Mounting type: din-rail (35mm), wall-mount
- ◆ Dimesions (mm): 155 (W) x 115 (H) x 57.4 (D)

Certifications

- ◆ CE
- ◆ FCC Class A

Dimension Drawing



Ordering Information

- ♦ **NEIO-B1101 (P/N:10J80110100X0)**
32ch digital input (sink) EtherCAT slave module
- ♦ **NEIO-B1102 (P/N:10J80110200X0)**
32ch digital input (sink/source) EtherCAT slave module
- ♦ **AC to DC din rail power supply (P/N: 7440060001X00)**
60W 24V/2.5A for NISE