



## Main Features

- Standalone NVR (embedded VMS built-in)
- 4 x PoE ports 4ch IP Camera 1080p@120fps
- Support ONVIF compliant camera
- Support Samba/NFS/FTP protocols to connect NAS
- Capability of assigning fixed IP address
- 802.3at/820.3af (Max. 60W)
- 2.5" removable SSD
- Operating temp.: -40°C ~ 70°C
- 9V ~ 36V DC in
- CE/FCC/EN50155 Tx certificated

## Product Overview

NANO 1190 is the first standalone networking video recorder, specially designed for vehicle and railway application for liveview/recording/playback. It builds with embedded VMS inside, and is able to support 4ch multiple brands of IP cameras, ONVIF compliant, with up to 1080p@120fps. Besides, to fulfill more and more complicated application nowadays, NANO 1190 can connect with various NAS with Samba, NFS and FTP protocols. The capability of assigning fixed IP address is absolutely key feature for the installation of IP cameras.

NANO 1190 supports 2 x 802.3at/4 x 802.3af (Max. 60W) PoE ports to connect with IP cameras. , The design of 2.5" removable SSD helps to access storage easily. The system with operating temp.: -40°C ~ 70°C, and 9V ~ 36V DC in is suitable to work in the unstable and tough installation environment. Ignition on/off feature is particularly designed for vehicle application, and lockable connector (M12 type) on I/O is necessary for railway. NANO 1190 also pass the certification criteria of E13 and EN50155 TX.

## Specifications

### NVR

- Video decoder: H.264/MPEG-4/M-JPEG
- Audio decoder: G.726/G.711
- Up to 9ch liveview/record/playback simultaneously
- Liveview by single/quad/9 video
- Recording video by schedule/motion detection
- Auto recycle recording (First In First Out)

### Storage

- 1 x 2.5" SATA 2.0

### I/O Interface-Front

- 1 x Power LED light for NVR software
- 1 x Storage LED light
- 1 x Alarm LED light
- 1 x CAM LED light
- 2 x USB 2.0 type A (one for KB/MS)
- 1 x Reset button
- 1 x Line-out
- 1 x VGA
- 1 x 2.5" removable SSD
- 4 x PoE LED light
- 1 x Power LED for the complete system
- 1 x PSE LED light
- 4 x PoE (802.3af/at, Max. 60W)

- M12

- 1 x Giga LAN
- M12

### I/O Interface-Lateral

- 1 x DIP switch (10bits)
- 1 x Power connector
- M12

### Power Management

- 9V ~ 36V DC input
- 8 level power on/off delay time by DIP switch
- Reverse protection/Over voltage protection
- OCP with field replaceable fuse
- Programmable voltage setting
- 24V DC in for EN50155 Tx

### Dimension

- 165mm (W) x 137.6mm (D) x 82.5mm (H) (6.50" x 5.42" x 3.25")
- Weight: 1.75kg

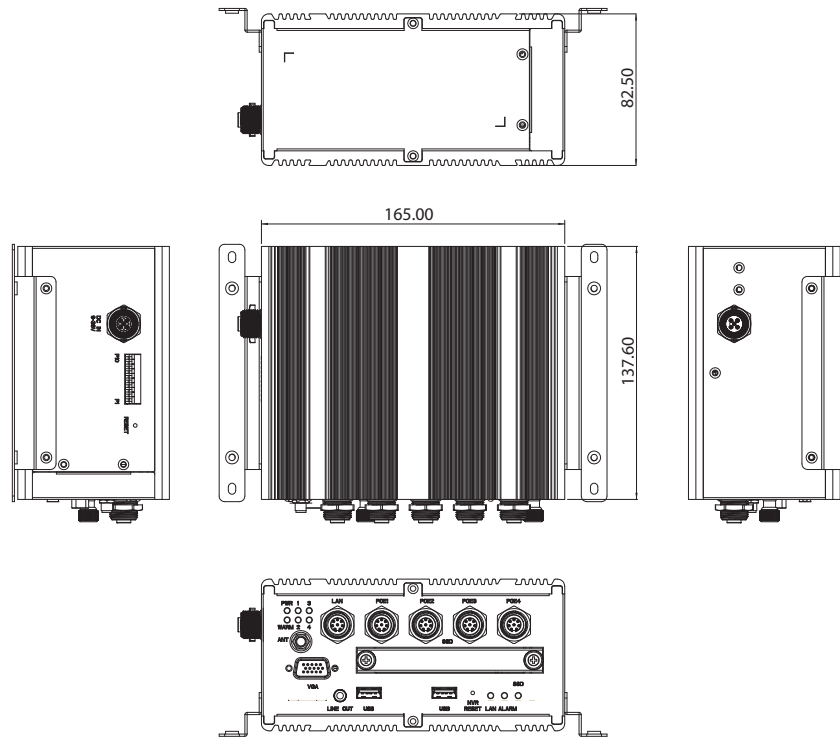
### Operating System

- Embedded VMS built-in

### Environment

- Operating temperatures: -40°C ~ 70°C (w/ industrial SSD) with air flow
- Storage temperatures: -40°C to 85°C

## Dimension Drawing



- Damp Heat test: EN60068-2-30
- Relative humidity: IEC60068-2-3 10% to 95% (non-condensing)
- Vibration:
  - Operating: MIL-STD-810G, 514.6C Procedure 1, Category 4
  - Storage: MIL-STD-810G, 514.6E Procedure 1, Category 24
- Shock:
  - MIL-STD-810G, 516.6 Procedure I, trucks and semi-trailers=40g
  - Crash hazard: Procedure V, ground equipment=75g

### Certifications

- CE/FCC class A/EN50155 Tx

## Ordering Information

- **NANO 1190-RAC4SM (P/N: 10N20119001X0)**  
Standalone NVR w/ 4ch PoE (M12), 1080p/ 120fps capacity, 1x Uplink GbE LAN (M12), 1x VGA out, 1x removable SSD, EN 50155 Tx