



Main Features

- On board Cortex®-A17 quad core SoC
- Compliant to HDMI 2.0, support 4K2K video content
- On board IEEE802.11 b/g/n and Bluetooth 4.0
- Fanless and slim design
- Support Android

Product Overview

Powered by ARM® Cortex®-A17 Quad core, NDiS B115 can play rich multi-media contents with low power consumption. NDiS B115 is enclosed in a compact chassis and can be easily integrated to display devices, such as LCD TV or PDP at site installation with HDMI display output (up to HDMI 2.0 support 4K2K 60Hz), Giga LAN. NDiS B115 is suitable as an entry level digital signage player for advertising, messaging, and brand promotion.

Specifications

Processor

- Rockchip RK3288 28nm Cortex®-A17 Quad core up to 1.8GHz

Memory

- Support DDR3 2GB memory on board

I/O Interface – Front

- Power LED indicator

I/O Interface-Left

- 1 x SD card slot support up to 64GB flash card
- Rest button
- 1 x USB 2.0

I/O Interface – Rear

- 1 x HDMI 2.0 output
- 1 x RJ45 Gigabit LAN port
- 1 x USB OTG

- 1 x ANT
- DC 5V power input jack
- 1 x Audio line out

Storage

- Internal Flash: default 16G Bytes eMMC flash

Dimension

- 118mm(W) x 101mm (D) x 23.6mm(H)

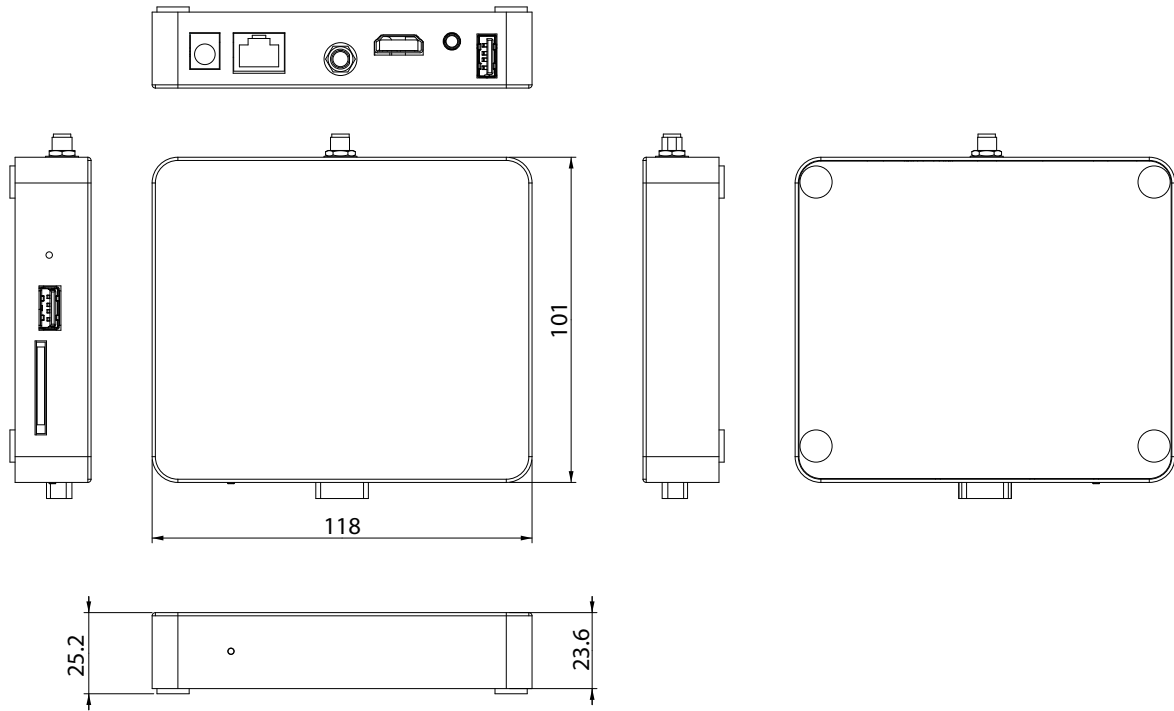
Environment

- Operating temperature: ambient with air flow from -10°C to 50°C
- Storage temperature: -20°C to 80°C
- Humidity: 10 to 95% (non-condensing)

Operating System

- Android 4.4

Dimension Drawing



Ordering Information

- **NDiS B115 (P/N: 10W00B11500X0)**
Rockchip RK3288 ARM Cortex-A17 Quad core